

Sandvik DD530

Speed is everything



Sandvik DD530-S60C

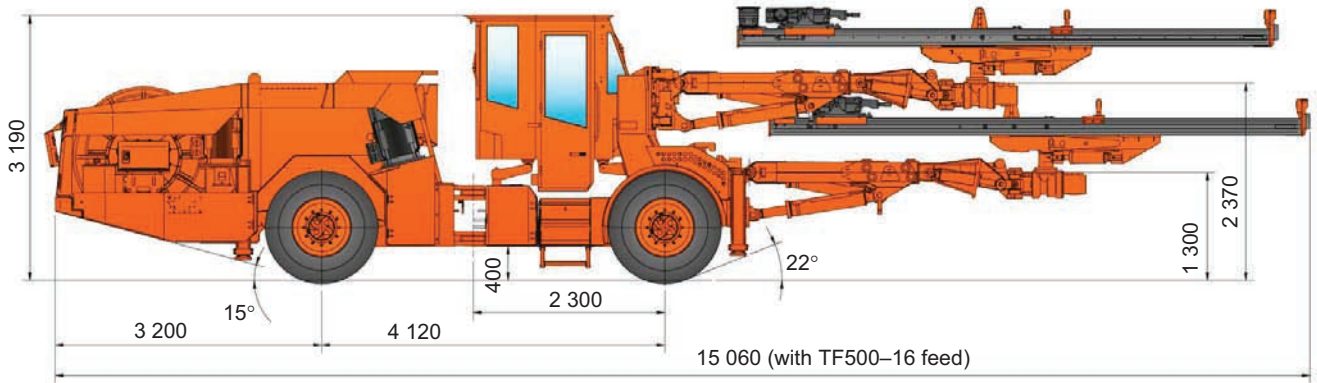
Sandvik DD530 is the essential tool for fast and accurate drifting. High frequency rock drills backed up with increased power will allow this 3-boom jumbo to deliver unparalleled performance in the drilling cycle.

This exceptional unit will stay ahead of schedule in the race against the clock. Pit stop times will be minimized through easy access to all service points. Transit times between headings can be cut down to a minimum with the high speed carrier. This is truly the fastest mining jumbo in the world.

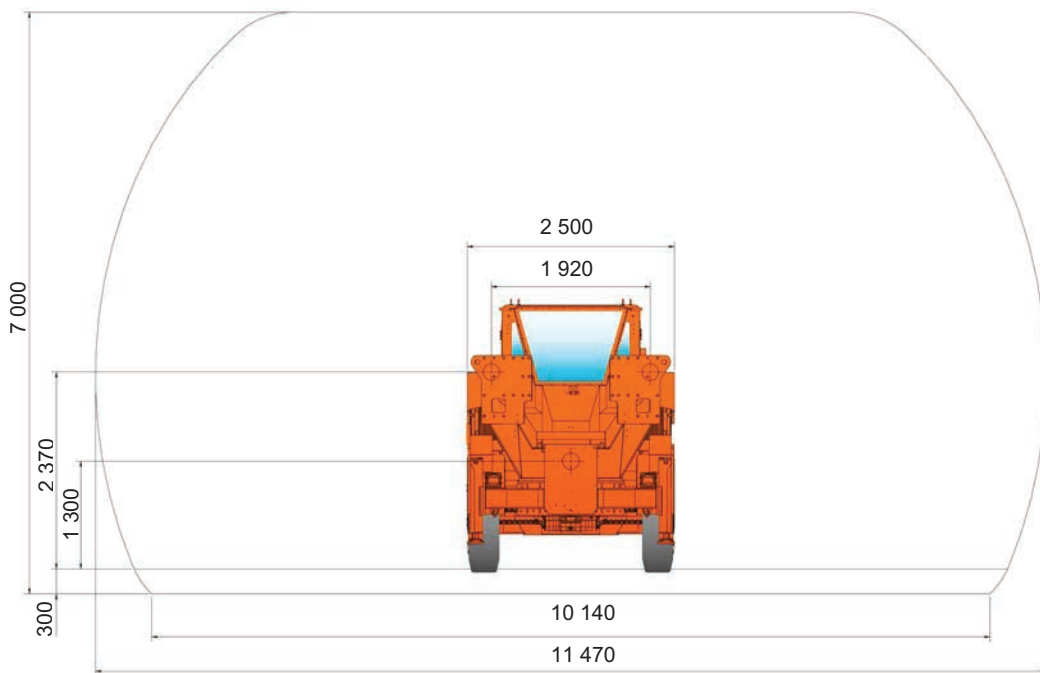
Key features

- Three drilling booms providing 12-75 m² cross sections
- High frequency HFX5T rock drills
- 75 kW hydraulic powerpacks
- Optional high speed carrier with 170 kW diesel engine

Main dimensions, Sandvik DD530-S60C



Coverage area



Technical data

Model	Min. drift size (height x width) / m (ft) *	No. of booms	Coverage / m ² (ft ²)	Max. tunnel size (height x width) / m (ft)	Feed length / ft	Rock drill
Sandvik DD530-S60C	5 x 5 (16.4 x 16.4)	3	12 - 75 (129-807)	7 x 11.5 (23 x 37.7)	12-18	HFX 5T

*) approx.

