

Sandvik DD210

Compact performance



Sandvik DD210-V

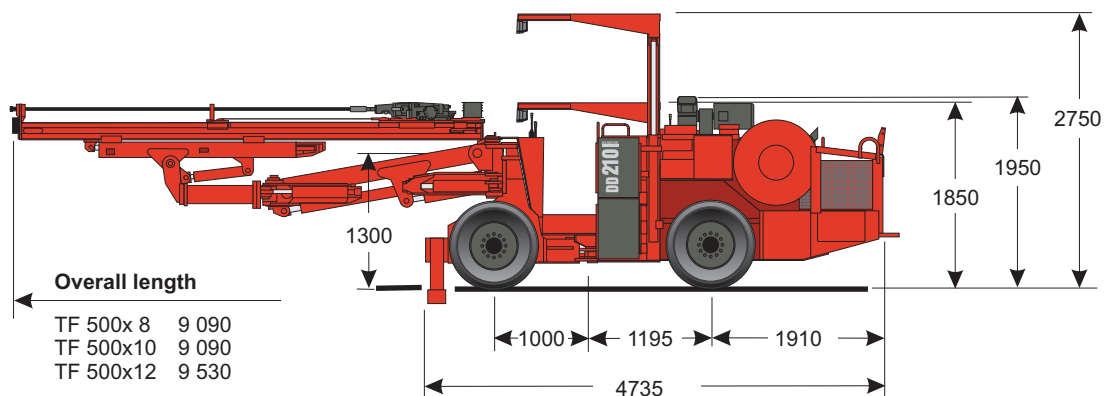
Sandvik DD210 is a compact, single boom drill rig designed for narrow vein mining. A powerful rock drill combined with outstanding boom coverage provides you with ultimate performance.

Compact dimensions, tramming capacity and various narrow vein options allow this machine to work in any area with restricted space - be it in face or cross cutting development, roof drilling for bolting, or long hole drilling. This is where safety and design meet to fine tune a machine that's small in size, but big in performance.

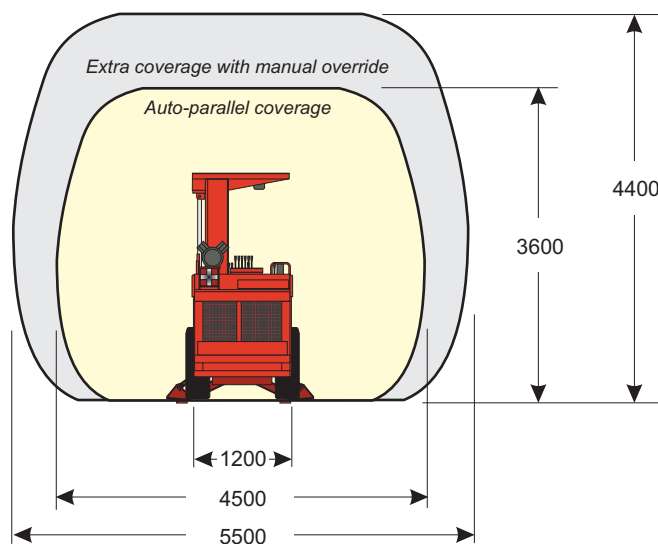
Key features

- One drilling boom providing up to 26 m² cross sections
- HL 510 rock drill
- Versatility for multiple applications
- Simple and easy to maintain

Main dimensions, Sandvik DD210



Coverage area with B14 boom



Sandvik DD210 series products

Model	Min drift size (height x width) m (ft)	No. of booms	Coverage m ² (ft ²)	Max tunnel size (height x width) m (ft)	Rock drill	Feed length ft	Controls	Canopy / cabin
DD210	2,5 x 2,5 (8,2 x 8,2)	I	up to 24 (258)	4,4 x 5,5 (14,0 x 18,0)	HL 510	8-12	Hyd.	Canopy
DD210-V	3 x 2,5 (9,9 x 8,2)	I	up to 26 (280)	4,7 x 5,5 (16,0 x 18,0)	H 200	6-12 Telescopic	Hyd.	Canopy