

# VIBRATING IDLER

# BEP13

BEP13 vibrating idler is meant for the cleaning of the patterned belts.

In low patterned belts (max. height of the pattern 10 mm) the idler is allowed to install also to the material side, but in the high patterned belts it is always installed to the clean side of the belt.

Spherical roller bearing and the construction where the end cap is inside in the shell, guarantees a long life in continuous shocking loading.

ORDERING EXAMPLE:

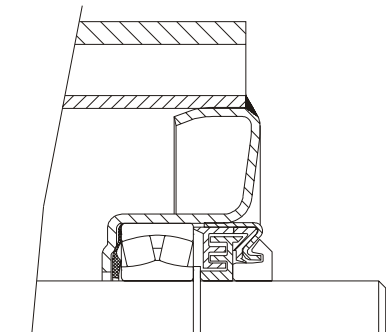
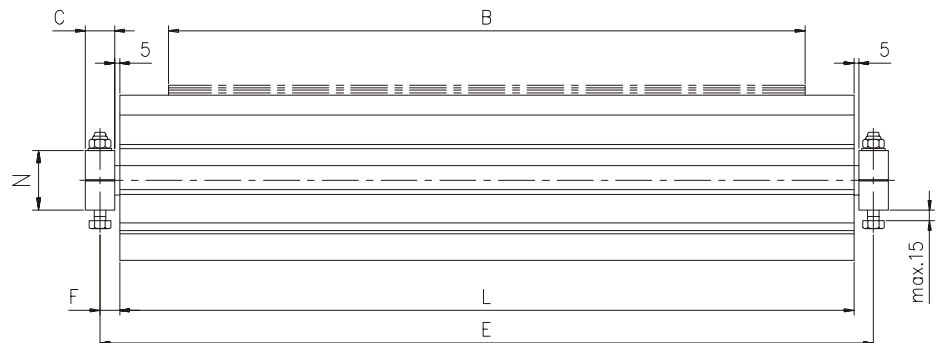
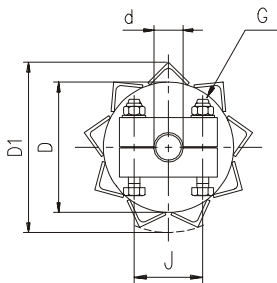
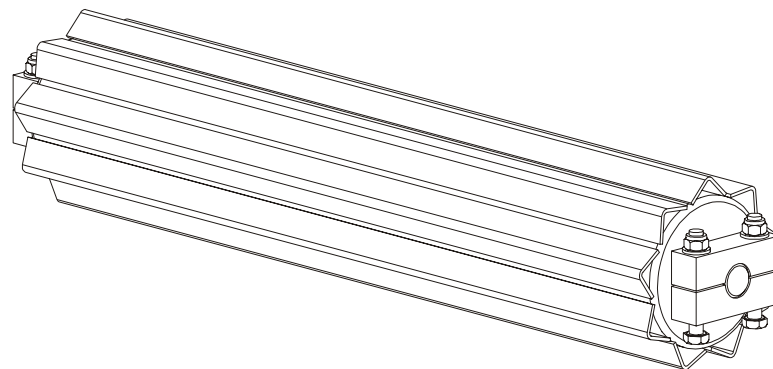
BEP13 - 40 - 159 - 1150

Type code





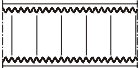
Shaft diameter d (mm)

Idler diameter D (mm)

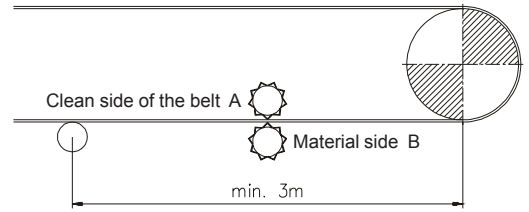
Idler length L (mm)



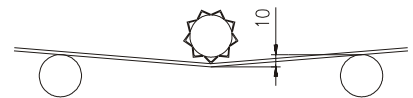
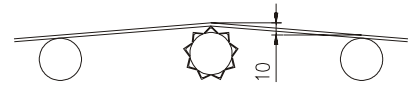
D	L	B	E	d	F	C	~D1	J	G	N	Weight (kg)
89	500	400	535	20 / 25	17.5	25	122	50	M10	50	12
	600	500	635								14
	750	650	785								16
	950	800	985								20
108	500	400	535	20 / 25	17.5	25	142	50	M10	50	14
	600	500	635								16
	750	650	785								18
	950	800	985								23
133	500	400	540	30	20	30	175	70	M12	60	19
	600	500	640								22
	750	650	790								26
	950	800	990								33
159	1150	1000	1200	40	25	40	200	70	M12	60	56
	1400	1200	1450								65
	1600	1400	1650								73
	1800	1600	1850								81

Belt type	Installation place	
	A	B
Smooth belt	Recommended	Allowed
Ribbed belt 	Recommended	Forbidden, if the rib is over 10 mm
Curve ribbed belt Ribs within each other 	Recommended	Allowed
Open ribbed belt 	Recommended	Forbidden
Patterned belt 	Recommended	Forbidden, if the pattern is over 10 mm
Side wall belt 	Recommended	Forbidden

Installation places



Installation underneath of the belt  
- rib in a vertical position



Installation upper side of the belt  
- rib in a vertical position