

# Cutting Attachment MA620 in Action

Fully proved in various applications





Operating this machine can be fun

## Sandvik Cutting Attachment MA620

The hydraulic cutting unit as an attachment for hydraulic excavators is an ideal complementary tool to close the gap between shovel and hammer/breaker or ripper.

### Technical data MA620\*

#### Technical Data Hydraulic (supplied by the excavator)

Oil pressure**	320 bar	4640 psi
Oil flow**	280 l/min	75 usgal/min
Recommended Diesel Power	min. 150 kW	min. 201 hp

#### Technical Data Cutting Unit\*\*\*

Output torque	18.980 Nm	1689.015 lbfin
Output speed	75.47 min <sup>-1</sup>	75.47 min <sup>-1</sup>
Cutter head diameter	770 mm	30.3 in
Cutting force	39.300 N	11.080 lbf
Cutting speed	3.0 m/s	117.5 in/s
Weight of cutting unit	2.815 kg	6.200 lb

<b>Recommended Carrier Weight</b>	>35 t	>77.140 lb
-----------------------------------	-------	------------

\* All rights for technical modification are reserved

\*\* Independent from other moves of the boom

\*\*\* Dependent on the hydraulic supply of the excavator



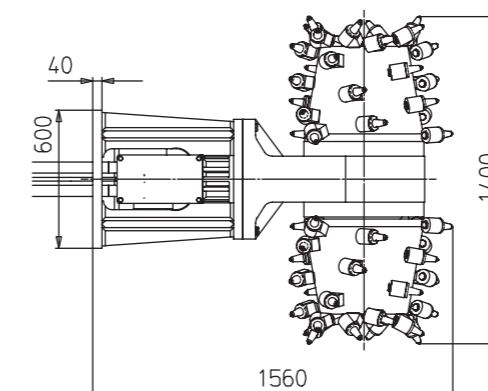
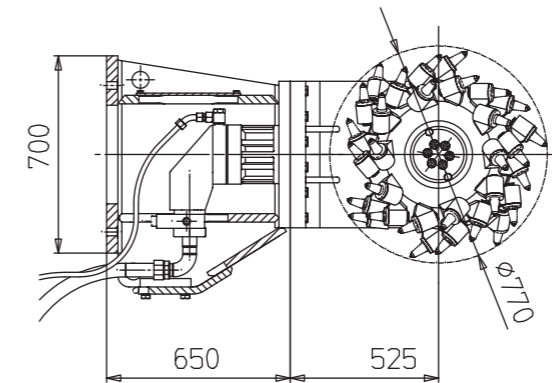
From vision to reality

### Unique features of the MA620

- Compact design
- Optimized cutterhead design based on 40 years experience in Roadheader business
- Rigid housing made of alloy steel (casted)
- Size of cut material for further use
- Ideal tool to extend the range of application of an excavator



Sandvik Cutting Attachment MA620



### Wide use of applications:

- Excavation of large profiles
- Excavation in partial cross sections
- Demolition works
- Trenching
- Profiling and scaling
- Enlargement of tunnels
- Production (e.g. gypsum quarries)
- Planning of paved areas
- Suitable for underwater application
- Mixing of soil (with cement)
- Stump cutting

### Short changing times by use of:

- Quick changer
- Hydraulic quick coupling