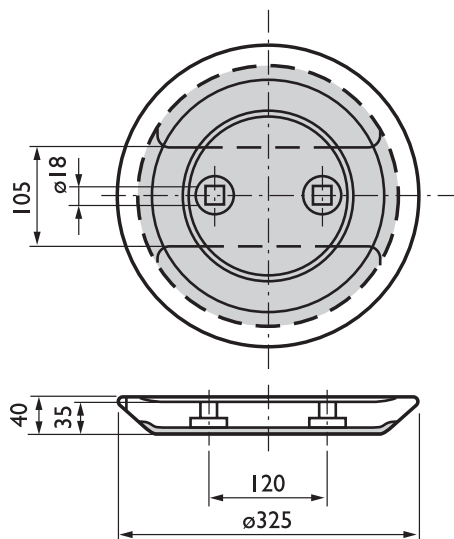


HX900 cast-in-carbide road maintenance components

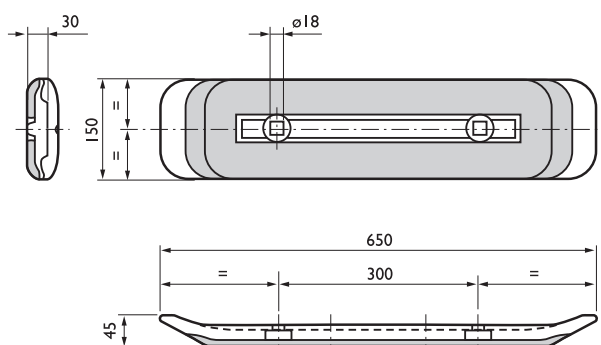


HX900 SNOW PLOW SHOES



HX900 ROUND SHOE

Function	Order number
Rotating	SAROA 3072 1 CS
Non-rotating	SAROA 3072 2 CS



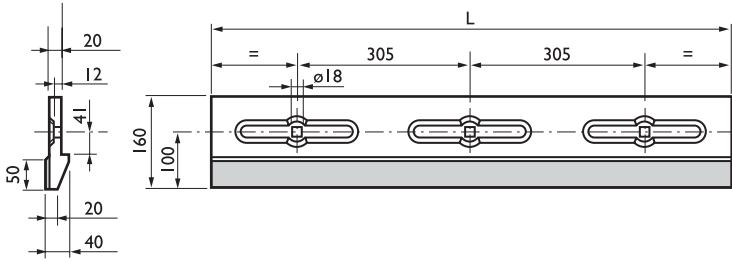
HX900 SHOE

Function	Order number
	SAROA 3130 0 CS

■ Wear resistant zone



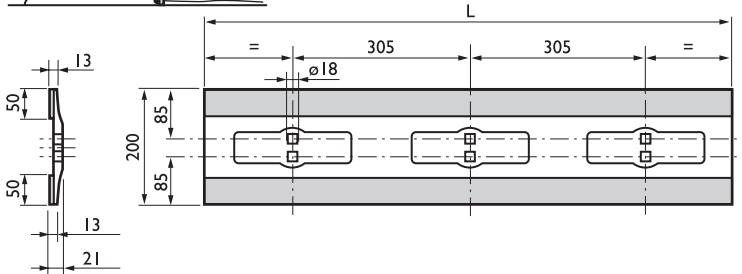
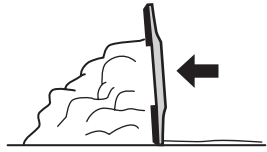
HX900 GRADER BLADES



HX900 ROAD GRADER BLADES

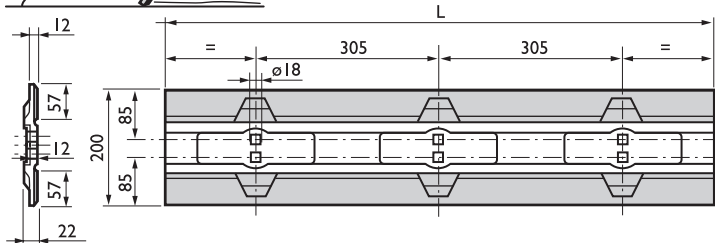
Length mm (in)	Order number
610 (24.02)	SAROA 2978 1 CS
915 (36.02)	SAROA 2978 2 CS
1220 (48.03)	SAROA 2978 3 CS

HX900 SNOW PLOW BLADES



HX900 DOUBLE SIDED SNOW PLOW BLADES, TYPE 3456

Length mm (in)	Order number
610 (24.02)	SAROA 3456 1 CS
915 (36.02)	SAROA 3456 2 CS
792 (31.18)	SAROA 3456 4 CS



HX900 DOUBLE SIDED SNOW PLOW BLADES, TYPE 3451

Length mm (in)	Order number
610 (24.02)	SAROA 3451 1 CS
915 (36.02)	SAROA 3451 2 CS
792 (31.18)	SAROA 3451 4 CS
610 right (24.02)	SAROA 3451 5 CS



■ Wear resistant zone